

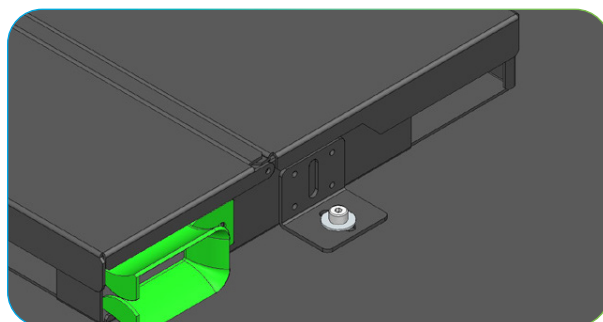
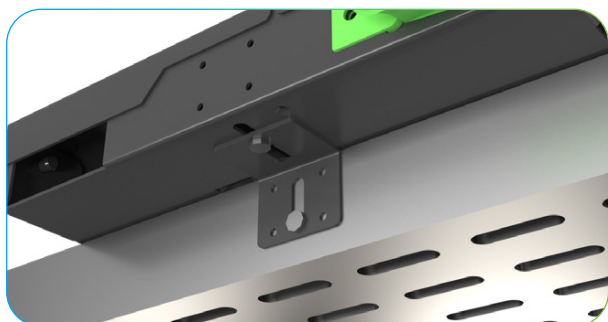
BENEFITS

- 12 PORTS CONSOLIDATION BOX: COMPATIBLE WITH OUR MMC CONNECTOR SERIES (IV, LK, BC)
- FIXING CABLE TRAY OR TECHNICAL UNDERFLOOR
- ADJUSTABLE BRACKETS FOR CABLE TRAY WIDTH

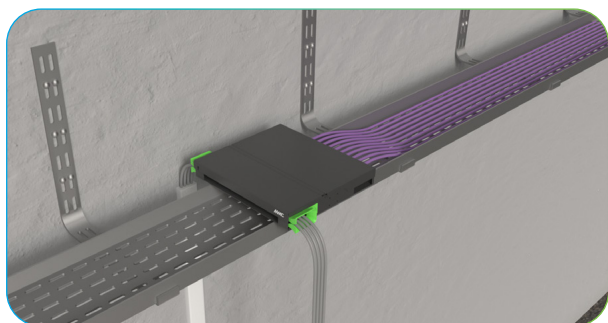
- KEYSTONE 12 PORTS RJ45 CONSOLIDATION BOX
- REMOVABLE BACK AND FRONT COVER FOR BETTER CONNECTOR ACCESS
- FIXING BRACKET 2 POSITIONS: FLOOR OR WALL MOUNTING
- FIXING ON CABLE TRAY
- MANAGEMENT RINGS ON THE FRONT FACE FOR LATERAL EXIT OF CORDS AND/OR CONSOLIDATION LINKS



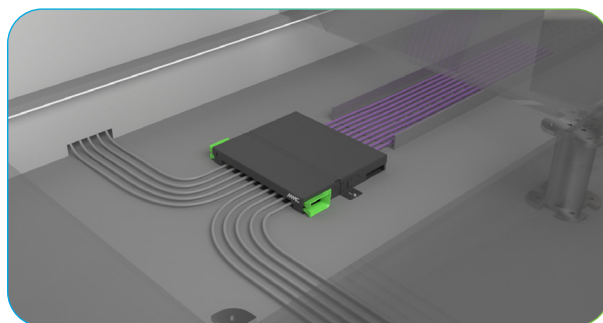
REMOVABLE FIXING BRACKETS FOR INSTALLATION ON A CABLE TRAY OR FLOOR INSTALLATION



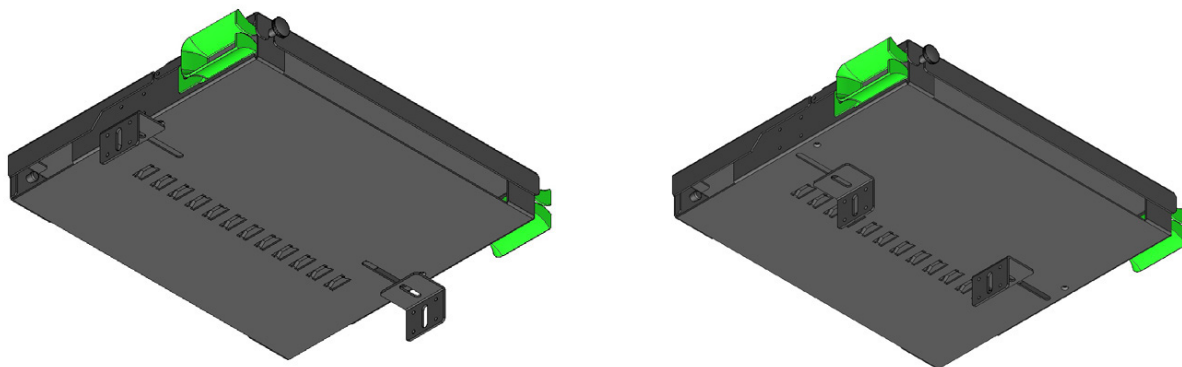
INPUTS/OUTPUTS LATERAL OR AXIAL CABLES



FIXING ON CABLE TRAY



TECHNICAL CEILING



MAXIMUM MODULARITY FROM 150MM TO 325MM, FOR MOUNTING ON PATCH CABLE WITH DIFFERENT WIDTHS

MATERIAL	DIMENSIONS	COLOR
STEEL THICKNESS 18/10	41.5 X 303 X 268.5 MM	RAL 7016

ORDER INFORMATION

ITEM NO	DESCRIPTION	PACKAGING	NVG#
BCBOXFS12	12 PORTS CONSOLIDATION BOX	UNIT	1010110